

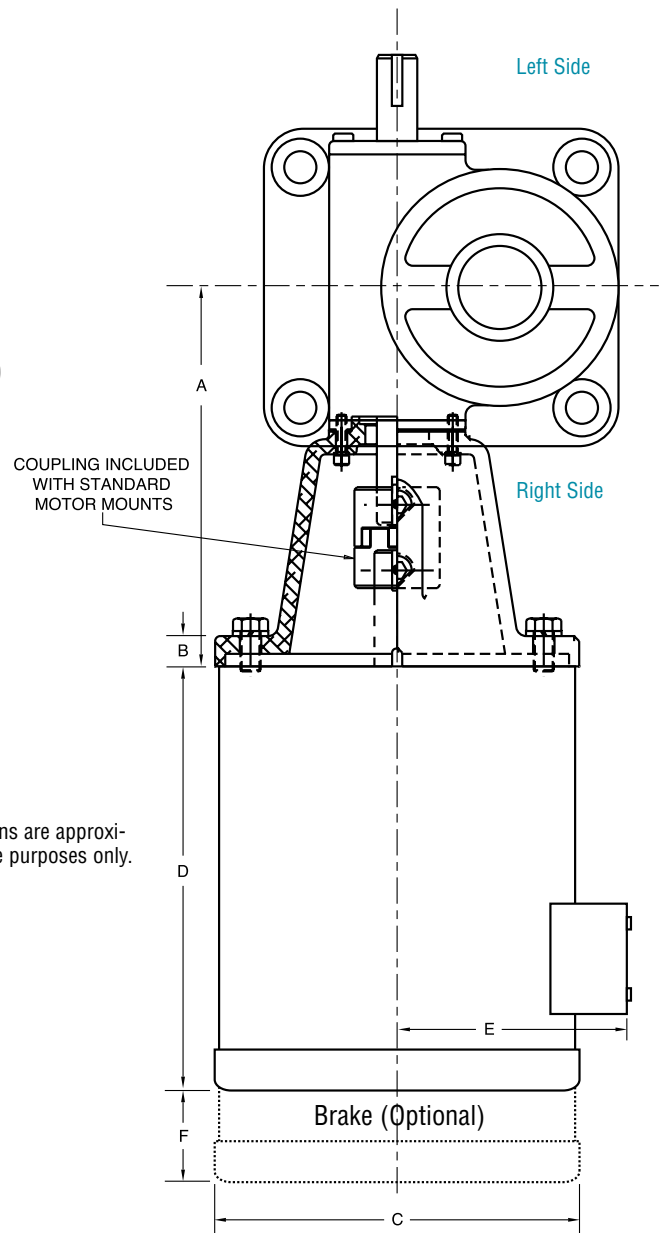
# ACCESSORIES—JOYCE MOTOR MOUNTS AND STOCK MOTORS

For easy installation, Joyce 2, 3, 5, 10, 15 and 20 ton machine screw and ball screw jacks are available with motor mount adapters for standard NEMA C-Face motors. Joyce motor mounts allow direct coupling of the motor shaft with either the right (shown) or left side jack input shaft. All mounts come with necessary hardware and coupling keys. Motor mounts are available with NEMA C-Face motors. Unless otherwise specified, all standard motors are 3 phase, 230/460 VAC, 60 Hz, 1725 rpm. Contact Joyce about motor mounts for other applications, including IEC, hydraulic and servo motor requirements.

## Motor Mount Dimensions

Capacity	NEMA Frame Size	A	B
2 ton	56C	6.25	.50
	140TC	6.25	.50
3 ton	56C	6.25	.50
	140TC	6.25	.50
5 ton	56C	7.25	.50
	140TC	7.25	.50
	180TC	8.00	.63
10 ton	56C	8.25	.50
	140TC	8.25	.50
	180TC	9.00	.63
15 ton	56C	8.25	.50
	140TC	8.25	.50
	180TC	9.00	.63
20 ton	56C	8.25	.50
	140TC	8.25	.50
	180TC	9.00	.63
	213TC	9.75	.88

**Note:** All dimensions are approximate, for clearance purposes only.



## Motor Dimensions

HP	NEMA Frame Size	C	D	E	F
1/3	56C	7.06	9.31	5.94	4.25
1/2	56C	7.06	9.31	5.94	4.25
3/4	56C	7.06	9.31	5.94	4.25
1	143TC	7.19	10.25	6.34	4.56
1 1/2	145TC	7.19	10.25	6.34	4.56
2	145TC	7.19	11.25	6.34	4.56
3	182TC	9.06	17.38	7.50	4.56
5	184TC	9.06	18.75	7.50	4.56
7 1/2	213TC	10.85	15.81	7.50	8.25

**Ordering Information** — Indicate the NEMA frame size and motor horsepower

**For complete ordering information see pages 164 & 165**

**Note:** Drawings are artist's conception — not for certification; dimensions are subject to change without notice.