

# ACCESSORIES — JOYCE ENCODERS

## PRECISE POSITION SENSING

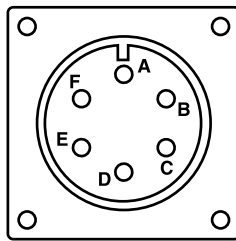
Joyce can equip machine screw jack models between 2 and 150 ton capacity with an encoder to allow accurate position sensing within increments of .001". The encoder combines with your control system to monitor screw travel, number of revolutions and travel limits.

Joyce's shaft-mounted encoder offers easy installation, proven reliability and virtually maintenance-free operation. It includes a six-pin electrical connector, worm shaft coupling and mounting adapter. Standard encoders are 200 pulses per revolution.

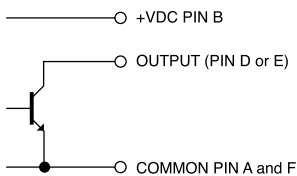
### 6-Pin Connector

For open collector and pull-up resistor units Pin A and Pin F are tied together. Either pin may be used for common.

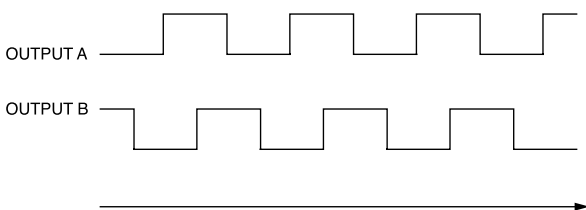
- A** Power supply and output common
- B** + Volts DC
- C** Open
- D** Output A
- E** Output B
- F** Power supply and output common



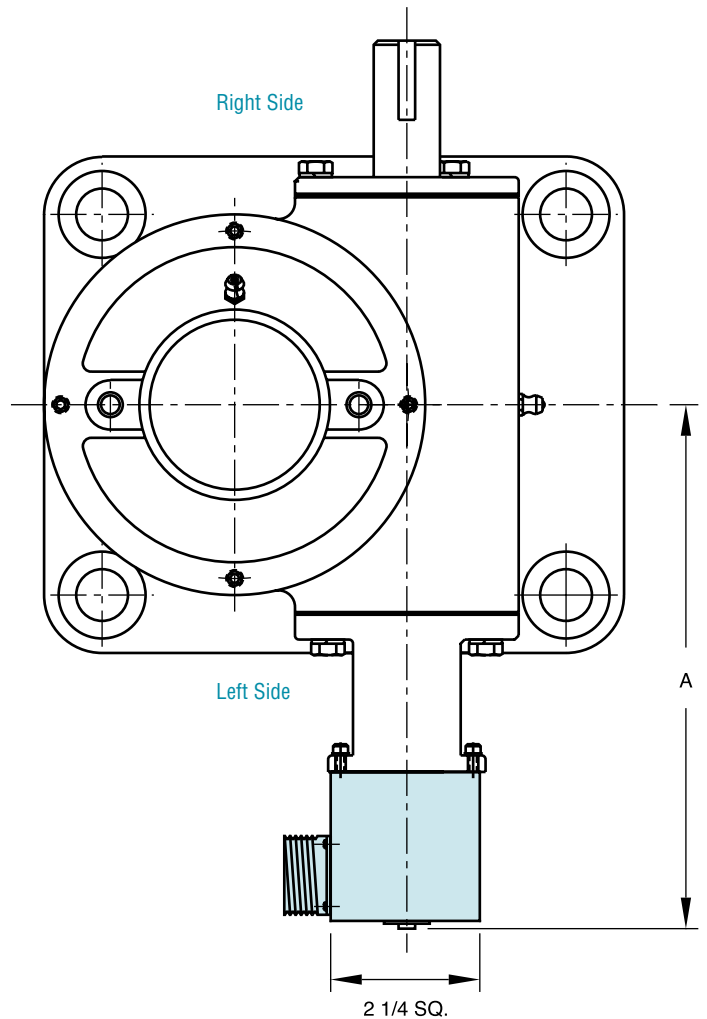
### NPN Open Collector Output



**Typical line driver wave form. Arrow indicates Channel A leads Channel B for clockwise rotation.**



**For complete ordering information see pages 164 & 165**



### Dimension

Capacity	A
2 ton	5.84
3 ton	6.88
5 ton	6.88
10 ton	7.94
15 ton	7.94
20 ton	8.31
25 ton	8.88
30 ton	8.88
35 ton	8.88
50 ton	10.94
75 ton	12.13
100 ton	12.19
150 ton	12.19

### Encoder Specifications

Speed range	0-1750 rpm
Voltage	12 Volts DC
Current	60 mA—115 mA
Output drive	250 mA/channel continuous
Maximum load	50 ohms per channel